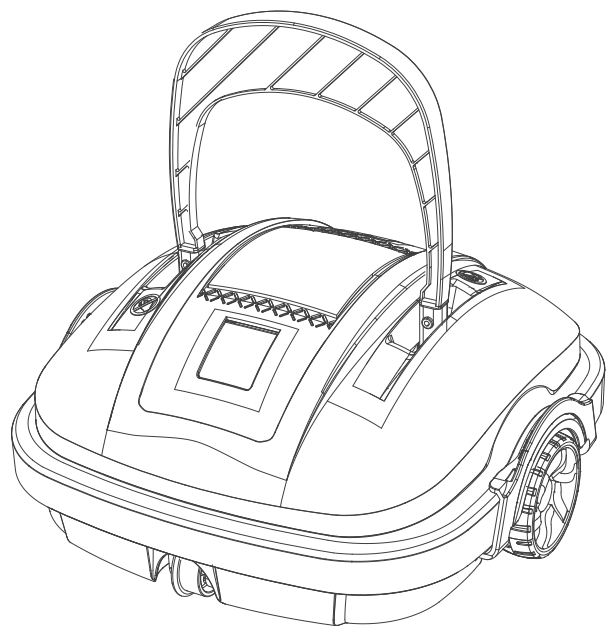


# WYBOT

## Robotic Pool Cleaner User Manual

Osprey 200/200 Max



Read through the entire manual before running your new robotic pool cleaner, and keep this manual handy for your reference.

# WYBOT

[www.wybotpool.com](http://www.wybotpool.com)

E-mail: [support@wybotpool.com](mailto:support@wybotpool.com)

Facebook: @WybotPool

WYBOTICS CO.,LTD

No.30, Zhongnan 4th Street West Zone, TEDA Tianjin, China

All trade names are registered trademarks of respective manufacturers listed.



# WYBOT

Thank you for choosing WYBOT products, your support means a lot to us. Continuous providing the best solution to free you up from pool cleaning and enjoy your family time is always our pursuit.

WYBOT Robotic Pool Cleaner is dedicated to serving you high efficiency, low power consumption, easy operation and thorough pool cleaning work.

Its unique appearance and reliable functions as one-button activation, powerful suction and scrubbing, fine filtration, smart navigation, remote control, and high compatibility with various pool shapes and constructions materials assure you a convenient, intelligent, and optimal pool cleaning.

Feel free to contact us by Email or visit our website with any questions. We are very glad to hear your advice on our continuous improvement.

Read the manual carefully before you use the cleaner. Your safety is the most important thing. Please read through and operate the device as per instructions, WYBOTICS Co., Ltd. is not held liable for any loss or injury caused by improper use.

## Warning

Failure to operate the device as per the warnings can result in serious injury, electrocution or death.

1. Use only the accessories recommended or sold by WYBOTICS Co., Ltd.
2. Dry the charging port after each cleaning. Humidity charging socket may cause a electric shock.
3. Do not charge the cleaner when it is running (the indicator is on).
4. Use only the original and authorized power charger. Avoid charging any other devices with this charger. Improper use may result in overheating or corrosive liquid leakage from the battery.
5. Make sure the electrical outlet is protected by a ground fault circuit interrupter (GFCI) and an earth leakage interrupter (ELI).
6. Do not use a cord-damaged charger to avoid any electrical shock.
7. Do not try to use extension cord to connect the charger.
8. Never allow children to ride on the cleaner or play with it as a toy.
9. Do not allow child to operate or maintain the device.
10. Do not enter the pool when the cleaner is working in it.
11. Never expose or charge the device in flammable environments.
12. Only licensed professionals can disassemble the sealing parts of the cleaner.
13. Do not operate the cleaner while pool filter is running.

## Caution

Failure to operate the device as per the warnings can cause a damage to the device or personal injury.

1. Charge the unit before first use.
2. Do not over charge the cleaner, which will reduce the battery life.
3. Do not put your finger between movable parts, such as flipper hinge moving cavity. You may be injured by a sudden movement.
4. Remember to wash and clean the filter basket after each use.
5. Disassemble the flipper if you will not use the device for a long time. Improper storage may snap the flipper.
6. Charge the cleaner prior to being stored for a long time (over 6 months) to maintain an optimal battery life.
7. Store the cleaner in a cool and ventilated place, away from direct sunshine or any heat source.
8. Use only the pool cleaner in the following water conditions:

Chlorine	Max 4 mg/L
pH	7.0 - 7.8
Temperature	41 - 95 °F (5 - 35 °C)
NaCl	Maximum 5000 PPM

# CONTENTS

## SPECIFICATIONS

## PACKING LIST

## PRODUCT DIAGRAM

## GET STARTED

Assemble your new OSPERY 200/200 Max

*Install flipper*

*Install scrapers*

Charge your new OSPERY 200/200 Max

Run your new OSPERY 200/200 Max

## DO A FILTER CLEANING

## HOW TO ADJUST YOUR CLEANING PATTERN

Detach the adjustable wheels

Reset combination path

## HOW TO MAINTAIN YOUR DEVICE

## FAQ & TROUBLE SHOOTING

## CERTIFICATION

01

01

02

03

03

03

04

04

05

07

08

08

08

09

10

11

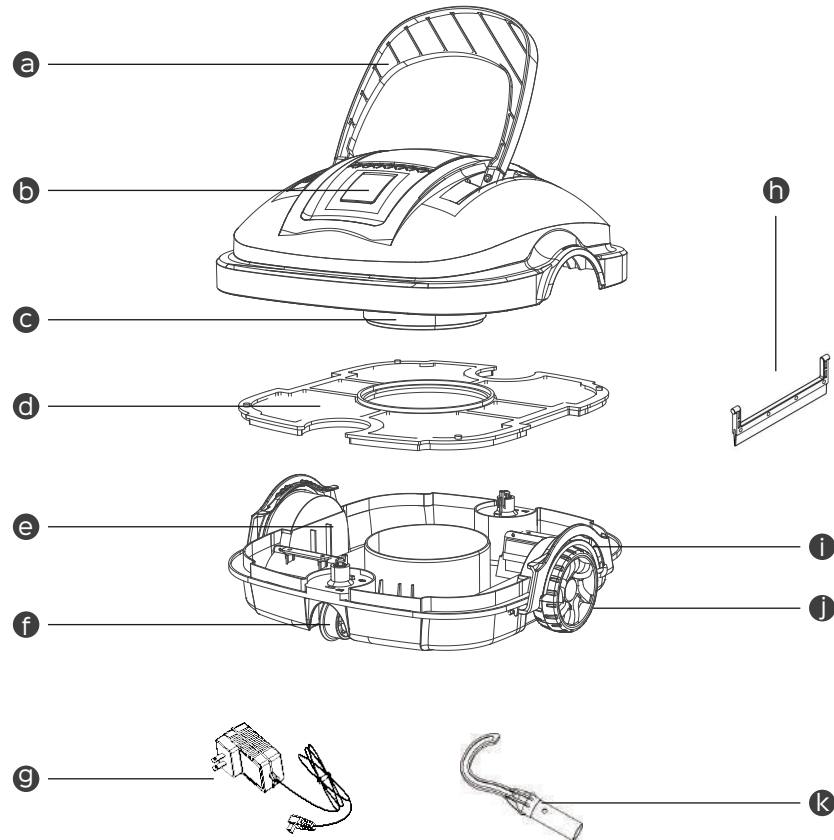
# SPECIFICATIONS

Model	Ospery 200	Ospery 200 Max
Pool Size	Up to 500 sq. Ft in-ground& above ground pools	Up to 861 sq. Ft in-ground& above ground pools
Depth	Max. 8.2ft	Max. 8.2ft
Device Dimension	16.14 x 15.87 x 8.46 inches	16.14 x 15.87 x 8.46 inches
Weight	7.9lbs (3.7Kg)	8.8lbs (3.9Kg)
Runtime	50-60 min.	100 min.
Charging Time	3-4 hours	3.5-4 hours
Voltage	11.1V	11.1V
Power	30W	30W
Charger Input	12.6V/1A	12.6V/1.8A
Battery Capacity	2600mAh	5200mAh
Filter Density	180µm	180µm
Flow Rate	7.2m³/H	7.2m³/H
Moving Speed	16m/min.	16m/min.
Water Resistance	IPX8	IPX8

# PACKING LIST

- 1 x Cleaner
- 1 x Charger
- 1 x Flipper
- 2 x Scrapers
- 1 x Retrieving Hook
- 2 x Screws
- 1 x User manual
- 1 x Quick Start Guide

## PRODUCT DIAGRAM



### a Flipper & Handle

Screwed to the device. Transport and remove the device with it

### b Flow outlet

Two flow outlets on the top of the device for a quick water release

### c Sealed part

Important components are sealed there. For your safety, do not try to disassemble it without authorization

### d Filter Tray

Filter dirt and debris after suction

### e Storage cavity

Store all collected debris

### f Front and Rear Adjustable Wheel

Adjust two adjust wheels to run in a different cleaning pattern

### g Charger

Fully charge the cleaner

### h Scraper

Wipe out the dirt and debris from the pool floor

### i Assembly fastener

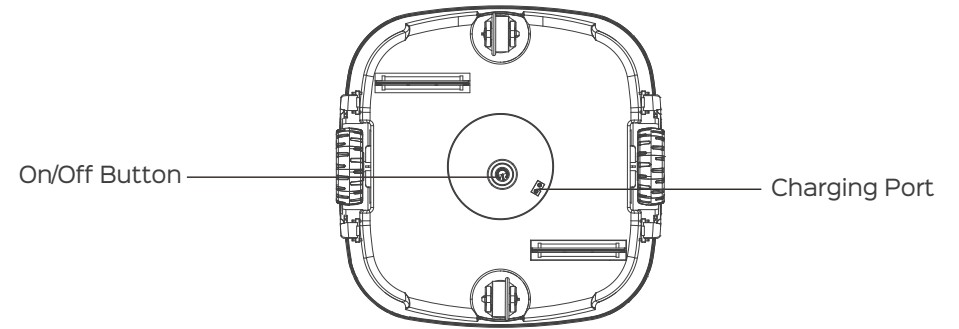
Lock and unlock the top cover from the chassis. There are two on either side of the device

### j Device Wheel

Running on the flat floor

### k Hook

Remove the cleaner from the pool



### Note:

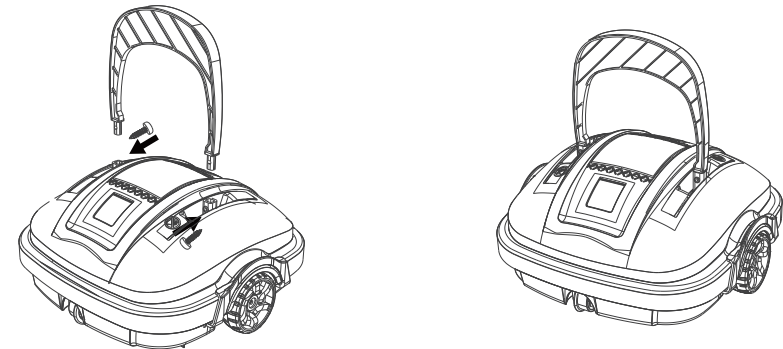
- Do not operate the device when the top cover is broken.
- If there is any liquid leakage from the sealing part, stop charging or running the device.

## GET STARTED

### Assemble your new OSPERY 200/200 Max

#### Install flipper

Take out of the included flipper and two screws and prepare a Phillips head screwdriver. Screw tightly the flipper using two screws from either side.

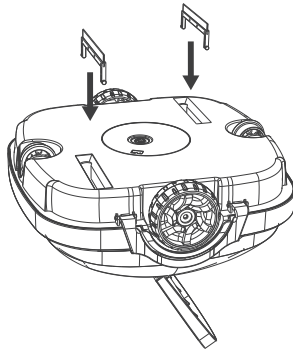


### Note:

- You should insert these two screws in a different directions. One should be inserted from left side, and the other from right side.
- Keep your finger away from the flipper hinge moving cavity. A sudden movement may cause you injury.

### Install scrapers

Insert the scrapers into the suction opening, you can hear a “click” after a full insertion into the notched of the opening.

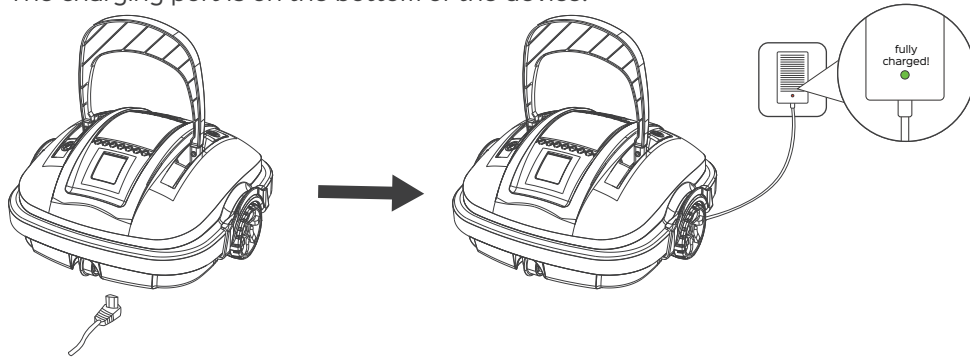


#### Note:

You can install the scrapers to knock loose debris and dirt. If your pool floor is not so flat, with tiny protrusions or pits, you may not install it to prevent it from being stuck.

### Charge your new OSPERY 200/200 Max

The device has a lithium-ion rechargeable battery, and you need to charge the battery before first use and when the battery is low. The charging port is on the bottom of the device.

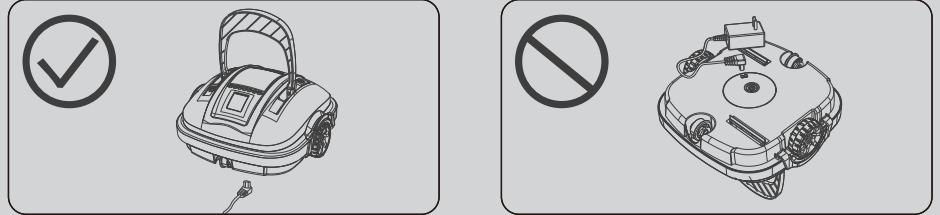


1. For your important safety, you need to double check the device is powered off (no beep sound), and charging port is dry before charging.
2. For reducing fire risk, keep your device and adaptor away from direct sunshine or water when charging.

#### Note:

1. When charging, you should ensure your device at least 3m (appr. 10ft) away from the edge of the pool.
2. The temperature should be at between 32°F(0°C) and 95°F (35°C) with RH between 5% and 95% when charging.

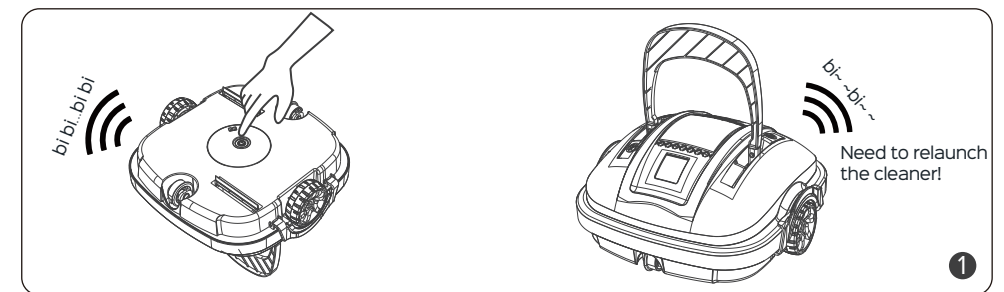
If you have installed the flipper after first use, you should keep the bottom on the floor after inserting the connector. Otherwise, the flipper may be broken.



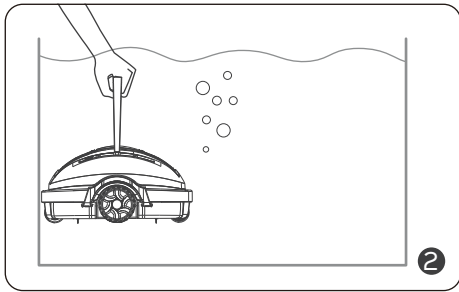
The adaptor has an indicator, it will display green light ● and red light ● to tell you battery is full or not.

Color	Indication
<span style="color: red;">●</span> Charging	Charging in Progress
<span style="color: green;">●</span> Charging Complete	Battery is full

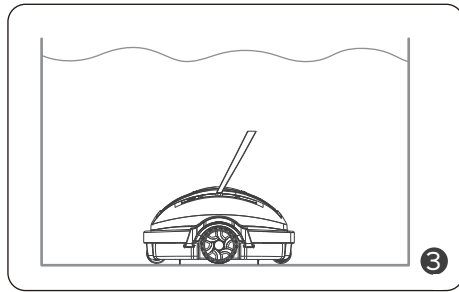
### Run your new OSPERY 200/200 Max



Turn on the device and put it into the pool within 3 minutes. The device will beep continuously if it exceeds 3 minutes, then you should relaunch the device.



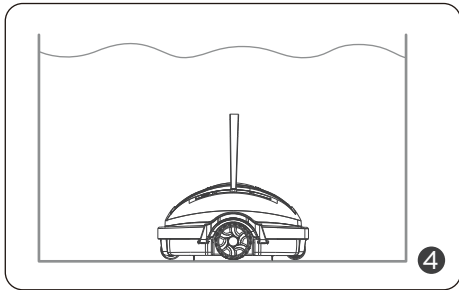
Hold the handle and put it vertically into the pool and fully submerge the device.



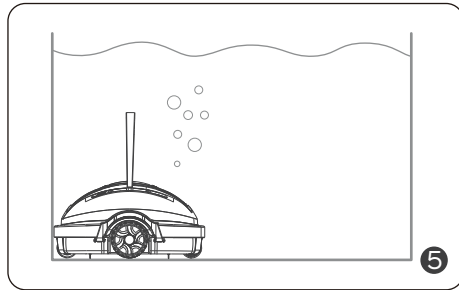
When there is no bubble out, release and let the device go down to the floor freely.

**Note:**

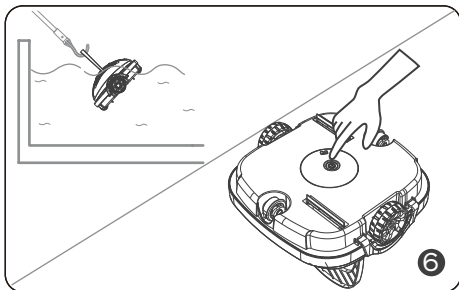
To achieve an optimal cleaning performance, you should ensure the water depth of the pool is at least 19.5 in (50 cm) high from the top of the device.



About 12 seconds static on the floor, the cleaner is ready to clean.



The device will automatically move to stop by the edge of its nearest wall when finishing cleaning or battery low.

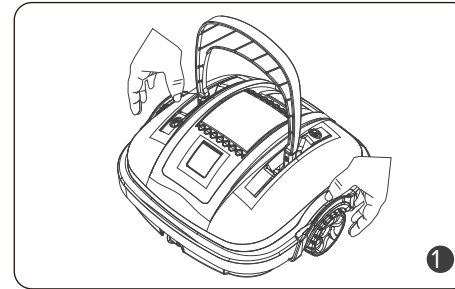


Insert the included hook into a pool pole and lift the cleaner out of the pool. Remember to power off the device.

**Note:**

You should take the cleaner out vertically to drain inside water out quickly. Press on/off button to turn off the device.

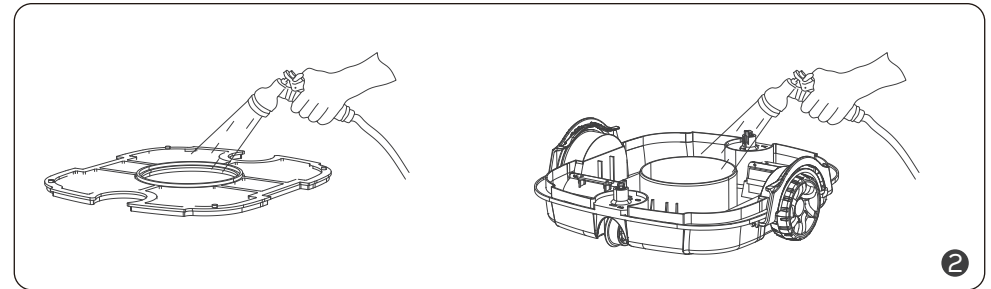
## DO A FILTER CLEANING



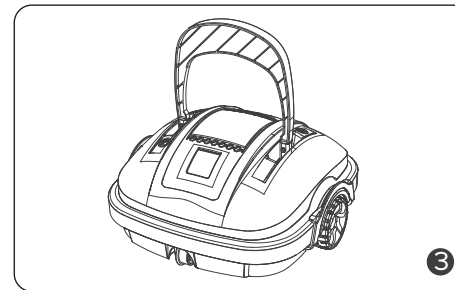
Hold the cover fasteners and unlock them.

**Note:**

- You should ensure the device is power off when opening the top cover.
- You need to clean the filter basket before being dry.



Take out the filter tray. Shake off all debris and rinse it with clean water. You can also use soft soapy water to keep a better clean.



After rinsing, put the filter tray back into the cleaner and fasten the cover.

**Note:**

The side with four protrusion in the corners of the mesh should be placed up.

**Note:**

- As electric components inside the cleaner, store the cleaner in a cool and ventilated place, away from direct sunshine or any heat source.
- Charge the cleaner prior to being stored for a long time (over 6 months) to maintain an optimal battery life.

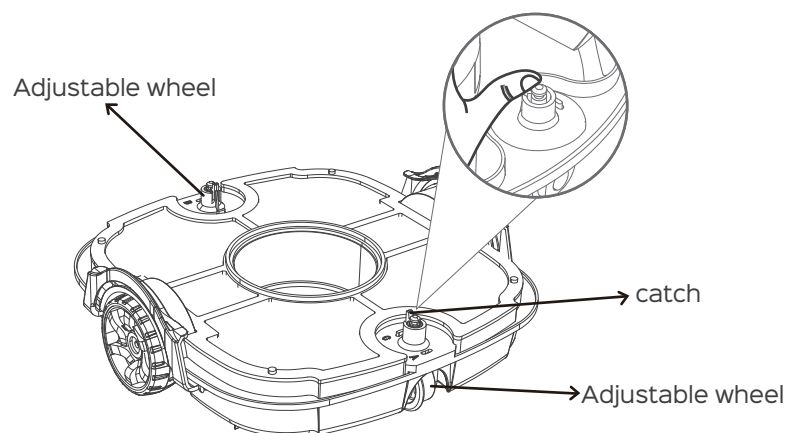
## HOW TO ADJUST YOUR CLEANING PATTERN

If your pool shape is irregular or you are not satisfied with default cleaning pattern, you can change the direction of the adjustable wheels to have a better cleaning work.

### Detach the adjustable wheels

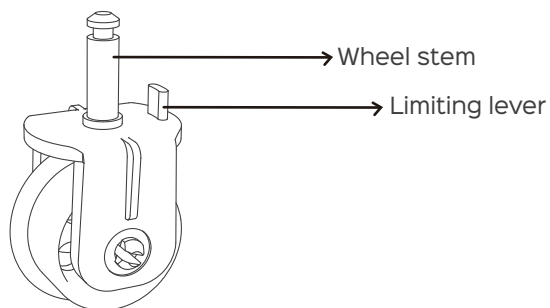
you can see two wheel kits where marking A, B, C, and D on front and rear side of the chassis .

On the wheel stem, you can see a catch inserted in. You can hold that catch and push to the inner side, and then the wheel kit can be removed.



### Reset combination path

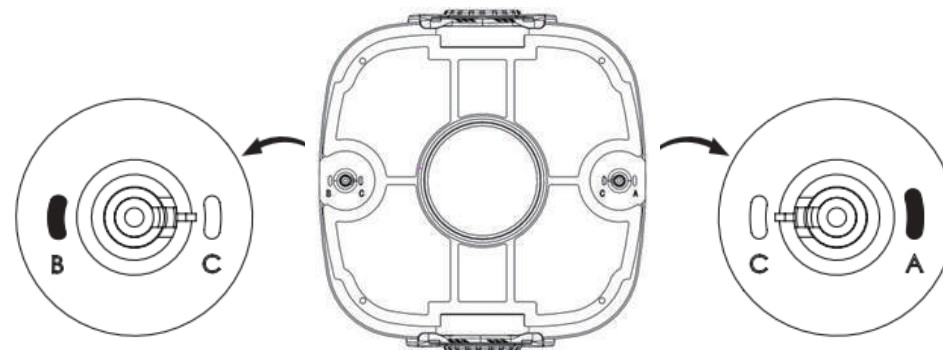
Insert the limiting lever on the wheel kit into holes marking A/B/C to modify your cleaning path.



Below is the combination ways and their usage scenario of adjustable wheels, you can refer to it.

Combination	Use Scenario
A - C	Default (suitable to most pools)
B - C	Smaller rebounding angle comparing with "A - C"
A - B	For round shape pools

For example: combination B-A



## HOW TO MAINTAIN YOUR DEVICE

You should follow the steps to store your cleaner to maintain good performance.

- Ensure the device is power off
- Dry out the cleaner and filter basket
- Fully charge the battery
- Store the cleaner in a cool and ventilated place, away from direct sunshine, heat source, frost with an ambient temperature at between 5°C / 41°F and 45°C / 113°F.
- Charge the cleaner every three months to ensure an optimal battery life.

### Note:

If your device do not work after a long-term low battery life or being off, please contact after-sale team for help. For your safety, do not try to disassemble it without authorization.



## FAQ & TROUBLE SHOOTING

Q: Could this cleaner do wall and waterline cleaning?

A: This cleaner is designed for floor cleaning only. It does not support any wall or waterline cleaning.

Q: Will obstacles such as steps, shallow water areas, drains, slopes etc. in the swimming pool affect the running?

A: The machine prefers to run on flat floor. High obstacles will make the device stuck. If you encounter the following situations when using the cleaner, you can check the table and solve them by yourself.

### Note:

Note: If you can not find a solution from the table, please contact after-sale team.

symptom	Possible reason	Solution
Buzzer silent or impeller not rotating after power on	Possible reason	Recharge the battery
	Internal fault	Contact after-sales service
The buzzer still alarms or the impeller does not rotate after the cleaner is fully immersed in the water.	The swing plate is stuck	Remove the cleaner from the pool and try to manually rotate the swing plate or contact the after-sales service.
	The swing plate cannot stand when the cleaner touching the wall	Try to manually overcome stuck condition
The swing plate cannot stand when the cleaner touching the wall, but the cleaner cannot reverse	The water channel is stuck	Try to manually overcome stuck condition
Charger indicator does not work	The charger is damaged	Contact after-sales service

The cleaner does not have a full coverage for the floor	Improper wheel angle	Adjust wheel position
	Special pool shape	Adjust wheel position
	Swimming pool water circulation system is on	Shut down the system

## CERTIFICATION

WYBOT robotic pool cleaners have passed all performance and reliability tests and also has obtained relevant certifications from the countries in which they are sold. you can rest assured.



Due to the need for continuous products improvement, the products in the manual are subject to the real products, and WYBOTICS Co., Ltd. reserves the right to update products.

If you encounter any problems during use, please contact after-sale team. For more details, please contact WYBOTICS website [www.wybotpool.com](http://www.wybotpool.com)

Wybot Customer Service:

E-mail: [support@wybotpool.com](mailto:support@wybotpool.com)

Tel: 1-866-777-6655